

WEDGE™ MODELS:**WSW130****WSW260****WSW390****WSW4120**STAINLESS STEEL TROUGH
ADA/OBC COMPLIANT

Model Shown: WSW130-SW000-F60

! IMPORTANT

Important: Some options may slightly alter installation. To ensure proper installation review the manual thoroughly and verify rough-ins before beginning any work. File this manual with the owner or maintenance personnel upon completion of installation.

Industry standard wall backing, for wall hung fixtures, is required. Installer provided wall anchors and wall anchoring hardware must be appropriate for wall construction.

ANSI, UFAS or ADA compliance is subject to the interpretation and requirements of the local code authority and is the responsibility of the installer for verification.

Prior to installation, supply lines must be flushed of all foreign material such as pipe dope, chips, or solder. Debris or foreign material in water supply may damage valve.

Teflon tape is recommended on all threaded waste and supply connections to reduce the possibility of leaks.

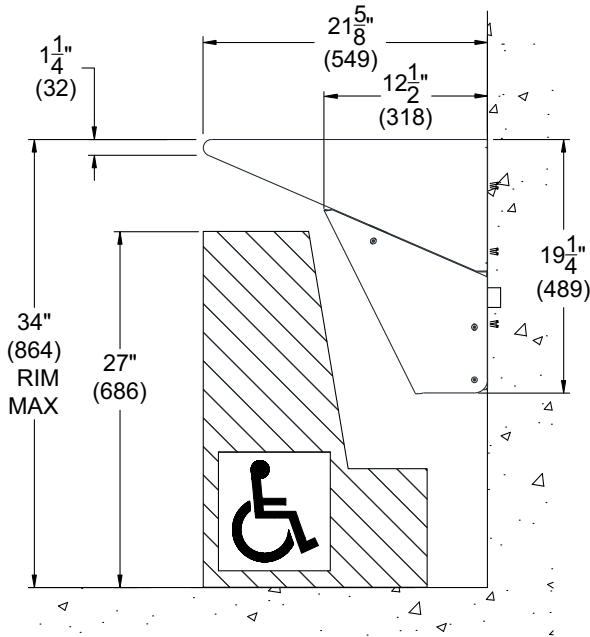
NOTE: When applicable, receptacle(s) must be wired to a GFCI protected circuit. Fixture must be earth grounded per N.E.C. (National Electrical Code).

**TECHNICAL ASSISTANCE TOLL FREE TELEPHONE NUMBER:
1.800.591.9360**Technical Assistance E-mail: FieldService@acorneng.com**Please refer to the Link or QR code provided.**

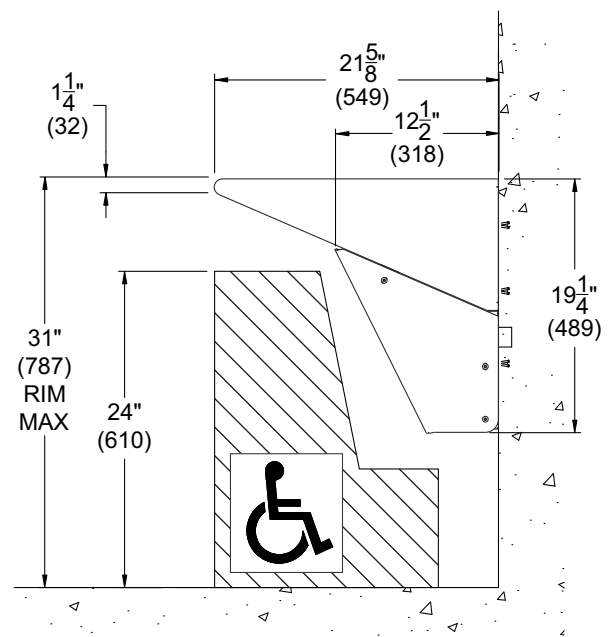
For Cleaning & Care Guide:

https://www.neo-metro.com/uploads/fileLibrary/cleaning_guide.pdf**NEO-METRO® by ACORN®**Acorn Engineering Company
15125 Proctor Ave. • City of Industry, CA 91746 USA
TF 800.488.8999 • PH 626.336.4561 • FX 626.961.2200

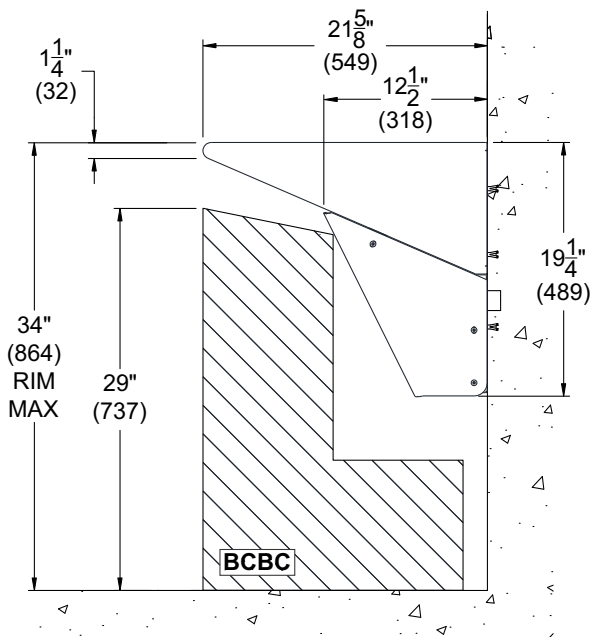
ACCESSIBILITY COMPARISONS



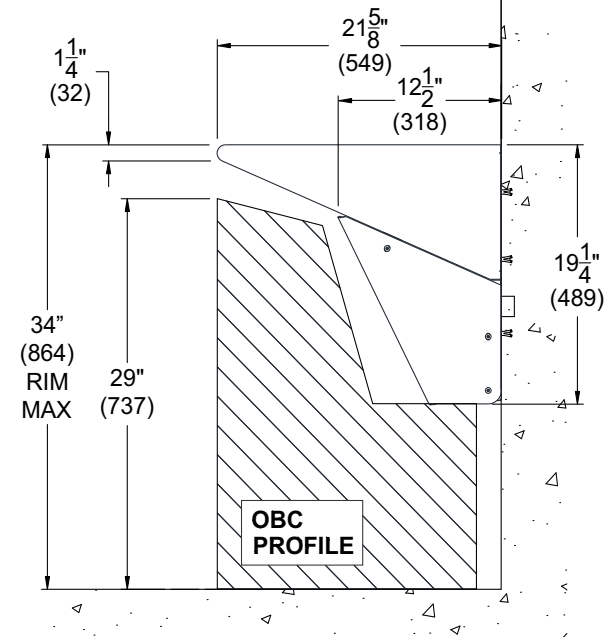
 **ADA
ADULT**



 **ADA ages
6 thru 12**



**BCBC
(British Columbia Building Code)**

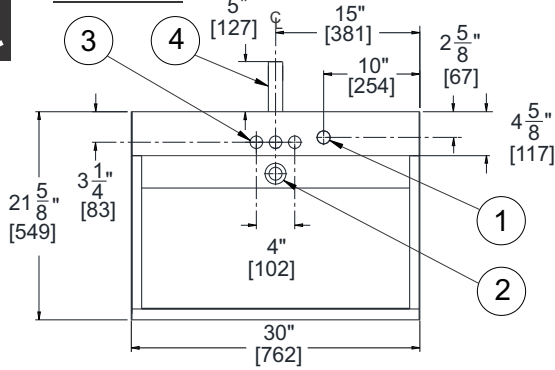


**OBC
(Ontario Building Code)**

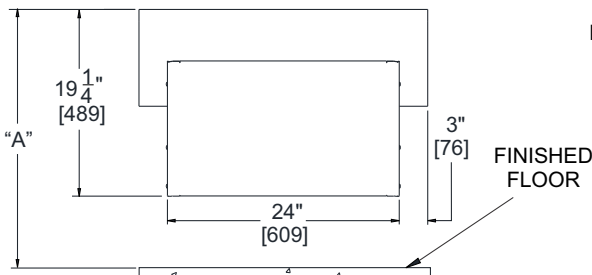
WSW130 TECHNICAL DIMENSIONS



TOP VIEW



FRONT VIEW



NOTE: Fixture profile will conform with the following Standards when mounted at recommended Rim height shown. Consult Local Codes for complete requirements.

DIMENSION "A" (RIM HEIGHT)	
ADA	34"
ADA-JH	31"
BCBC	34"
OBC	34"

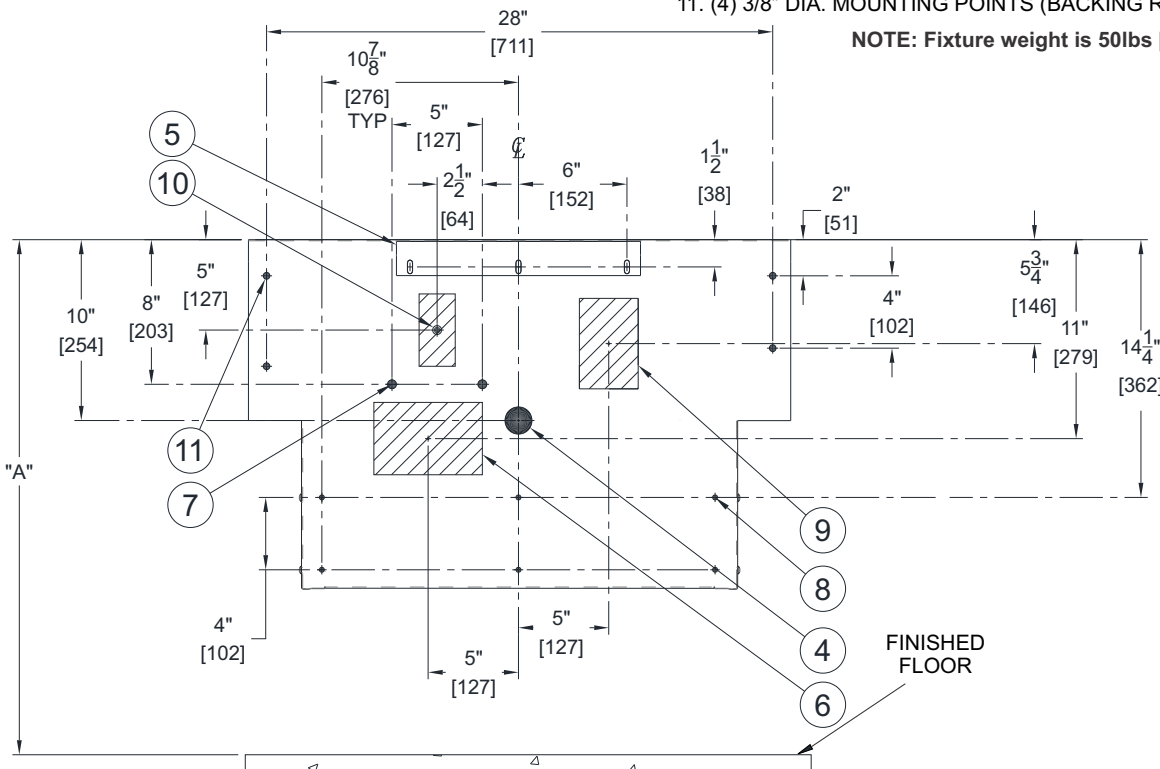
GENERAL NOTES:

1. Ø1-5/16" SOAP TYP DISPENSER KNOCKOUT
2. Ø1-1/4" DRAIN OPENING
3. (3) Ø1-5/16" ON 4" CENTERSET TYP
4. WASTE OUTLET FOR OPTIONAL 1-1/2" OD P-TRAP

ROUGH-IN PLUMBING AND MOUNTING NOTES

5. "S" MOUNTING BRACKET PLATE
6. IF REQUIRED FOR VALVE MOUNTING AREA;
6"W x 4"H x MAX 8.25" DEPTH
7. 1/2" NPT HOT AND COLD SUPPLY INLETS (AS REQUIRED)
8. (6) WALL ANCHORING MOUNTING POINTS (WALL BACKING REQUIRED)
9. IF REQUIRED FOR SOAP DISPENSER COMPONENTS
PLACEMENT (BY OTHERS);
3.5"W x 5"H x MAX 4.5" DEPTH
10. FOR OPTIONAL SW000-F60 SENSOR OPERATED FAUCET
ELECTRICAL POWER ROUGH-IN PROVIDE 120VAC, 60Hz, 3A
(MAX.) GFCI PROTECTED, ELECTRICAL RECEPTACLE
(VERIFY ELECTRICAL REQUIREMENTS FOR SENSOR
FAUCETS WHEN PROVIDED BY OTHERS.); 2"W x 4"H
11. (4) 3/8" DIA. MOUNTING POINTS (BACKING REQUIRED)

WSW130 ROUGH-IN

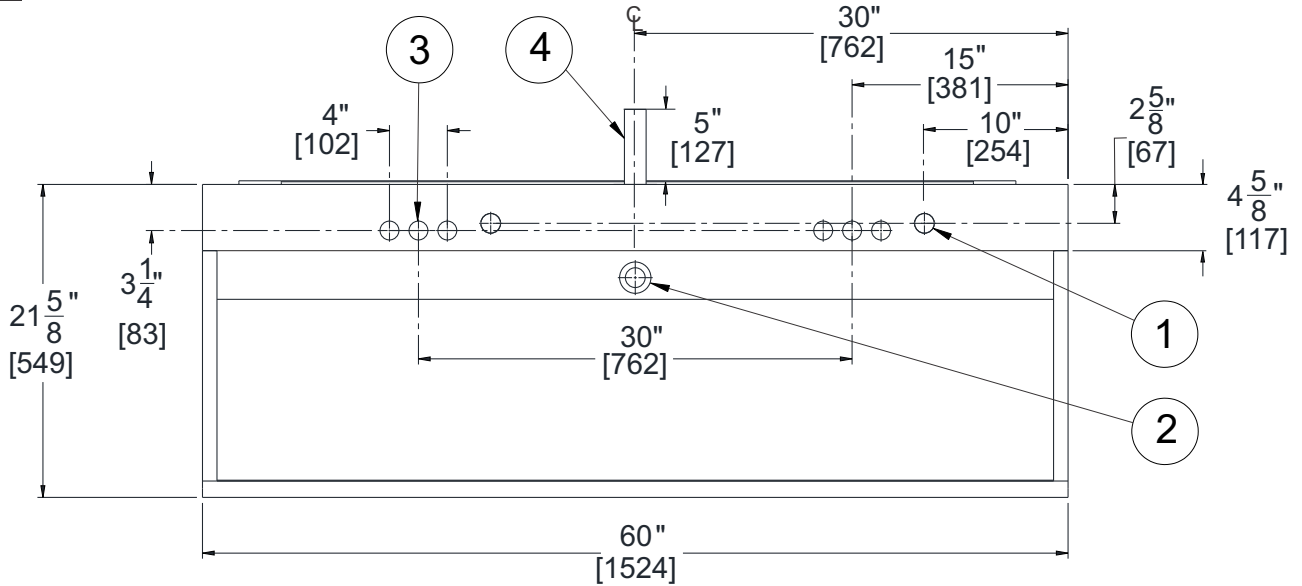


NOTE: Fixture weight is 50lbs [23kg] approx.

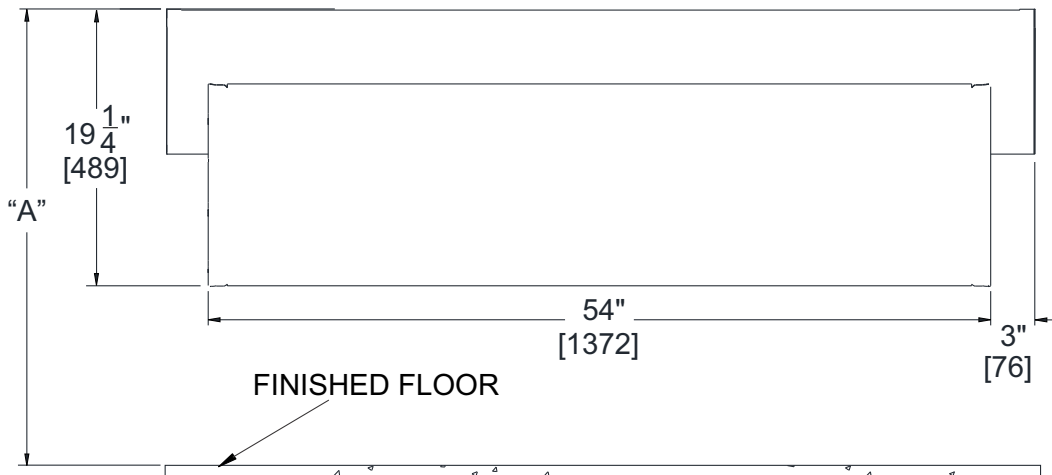
WSW260 TECHNICAL DIMENSIONS



TOP VIEW



FRONT VIEW



GENERAL NOTES:

1. (2) Ø1-5/16" SOAP TYP DISPENSER KNOCKOUT
2. Ø1-1/4" DRAIN OPENING
3. (3) Ø1-5/16" ON 4" CENTERSET TYP
4. WASTE OUTLET FOR OPTIONAL 1-1/2" OD P-TRAP

NOTE: Fixture weight is 90lbs [41kg] approx.

NOTE: Fixture profile will conform with the following Standards when mounted at recommended Rim height shown. Consult Local Codes for complete requirements.

DIMENSION "A" (RIM HEIGHT)	
ADA	34"
ADA-JH	31"
BCBC	34"
OBC	34"

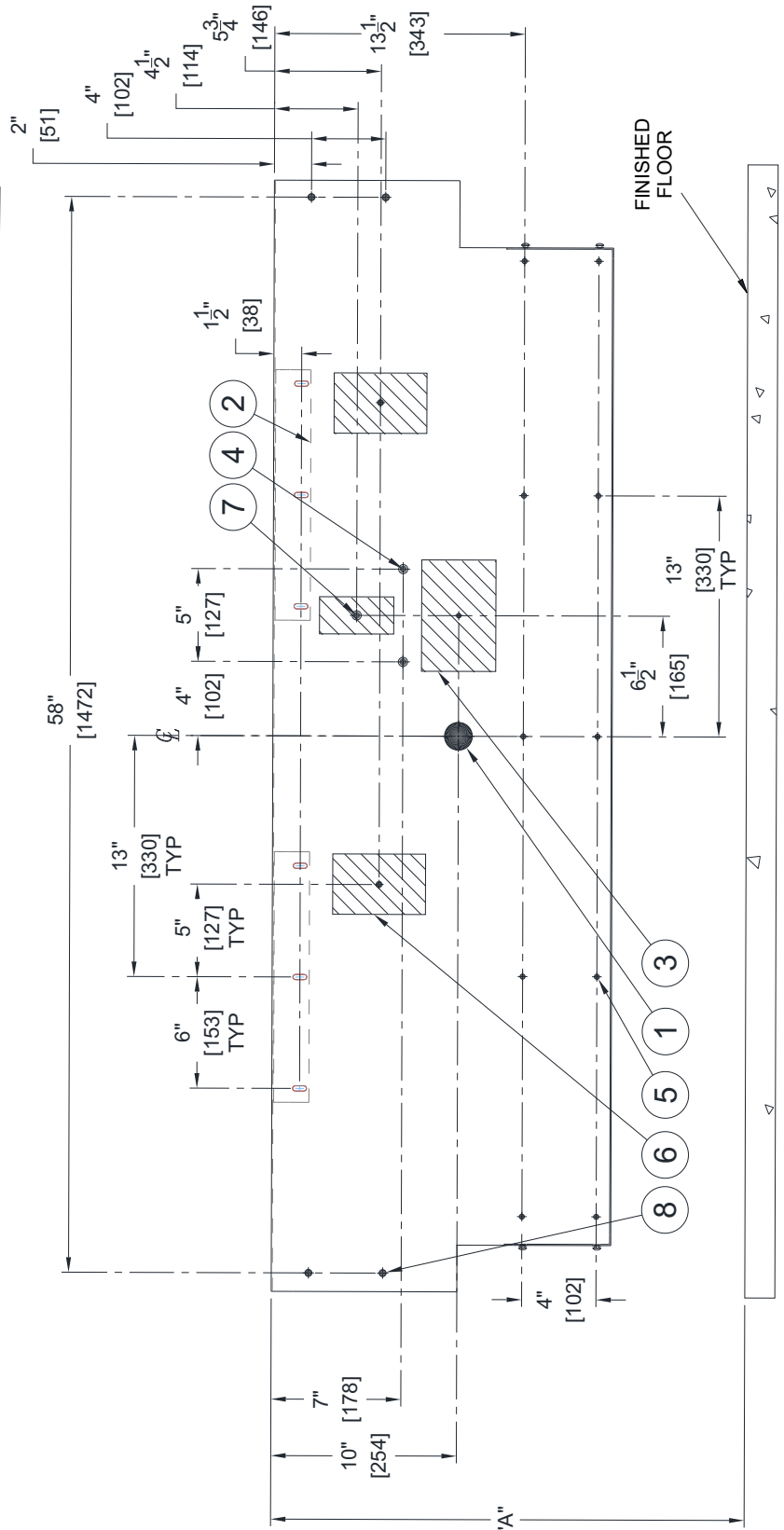
WSW260 ROUGH-IN

NOTE: Fixture profile will conform with the following Standards when mounted at recommended Rim height shown. Consult Local Codes for complete requirements.

DIMENSION "A" (RIM HEIGHT)	
ADA	34"
ADA-JH	31"
BCBC	34"
OBC	34"

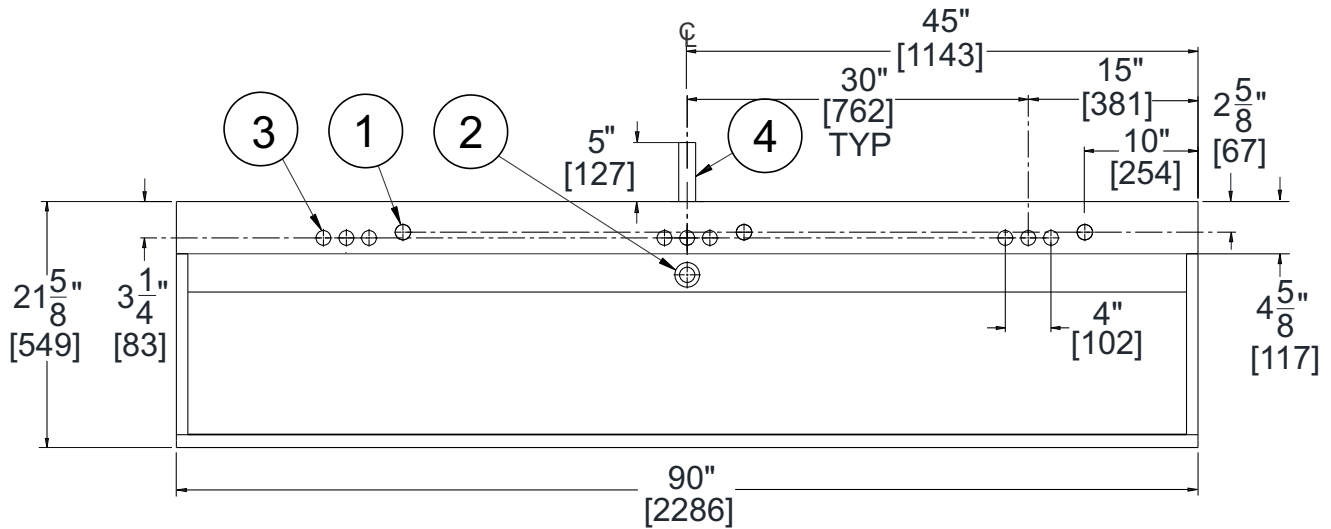
ROUGH-IN PLUMBING AND MOUNTING NOTES

1. WASTE OUTLET FOR OPTIONAL 1-1/2" OD P-TRAP
2. (2) "S" MOUNTING BRACKET PLATE
3. IF REQUIRED FOR VALVE MOUNTING AREA; 6"W x 4"H x MAX 8" DEPTH
4. 1/2" NPT HOT AND COLD SUPPLY INLETS (AS REQUIRED)
5. (10) WALL ANCHORING MOUNTING POINTS WALL BACKING REQUIRED
6. IF REQUIRED FOR SOAP DISPENSER COMPONENTS PLACEMENT (BY OTHERS); 3.5"W x 5"H x MAX 4.5" DEPTH
7. FOR OPTIONAL SW000-F60 SENSOR OPERATED FAUCET ELECTRICAL POWER ROUGH-IN PROVIDE 120VAC, 60Hz, 3A (MAX.) GFCI PROTECTED, ELECTRICAL RECEPTACLE (VERIFY ELECTRICAL REQUIREMENTS FOR SENSOR FAUCETS WHEN PROVIDED BY OTHERS.); 2"W x 4"H
8. (4) 3/8" DIA. MOUNTING POINTS (BACKING REQUIRED)

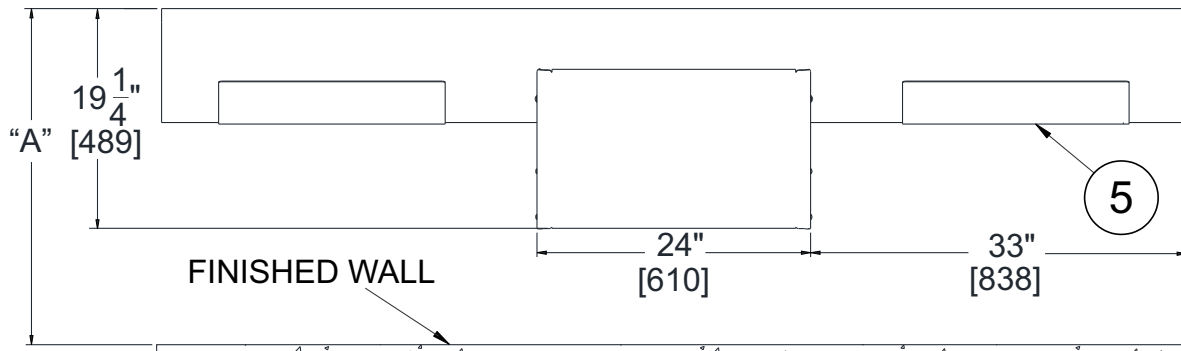


WSW390 TECHNICAL DIMENSIONS

TOP VIEW



FRONT VIEW



GENERAL NOTES:

1. (3) Ø1-5/16" SOAP TYP DISPENSER KNOCKOUT
2. Ø1-1/4" DRAIN OPENING
3. (3) Ø1-5/16" ON 4" CENTERSET TYP
4. WASTE OUTLET FOR OPTIONAL 1-1/2" OD P-TRAP
5. (2) ACCESS PANEL

NOTE: Fixture weight is 115lbs [52kg] approx.

NOTE: Fixture profile will conform with the following Standards when mounted at recommended Rim height shown. Consult Local Codes for complete requirements.

DIMENSION "A" (RIM HEIGHT)	
ADA	34"
ADA-JH	31"
BCBC	34"
OBC	34"

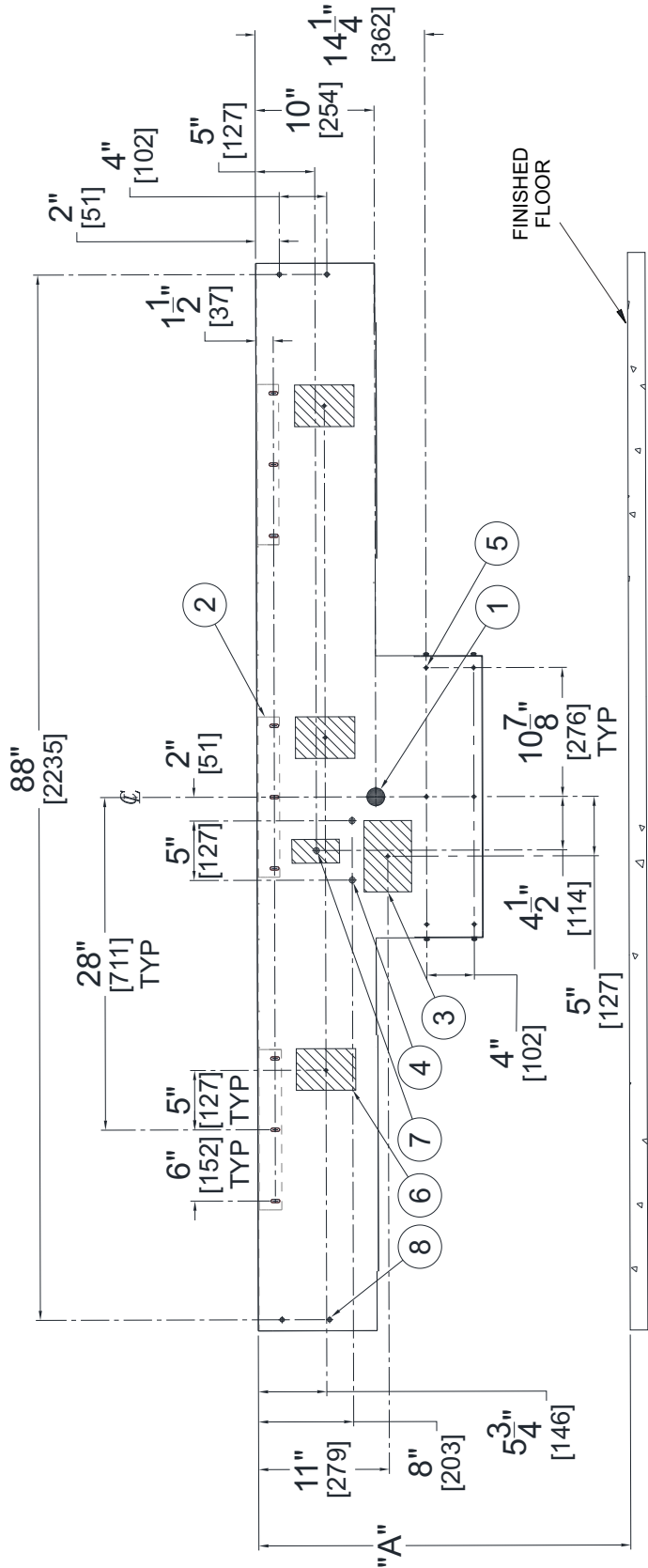
WSW390 ROUGH-IN

ROUGH-IN PLUMBING AND MOUNTING NOTES

1. WASTE OUTLET FOR OPTIONAL 1-1/2" OD P-TRAP
2. (3) MOUNTING BRACKET PLATE
3. IF REQUIRED FOR VALVE MOUNTING AREA; 6"W x 4"H x MAX 8.25" DEPTH
4. 1/2" NPT HOT AND COLD SUPPLY INLETS (AS REQUIRED)
5. (6) WALL-ANCHORING MOUNTING POINTS (WALL BACKING REQUIRED)
6. IF REQUIRED FOR SOAP DISPENSER COMPONENTS PLACEMENT (BY OTHERS); 3.5"W x 5"H x MAX 4.5" DEPTH
7. FOR OPTIONAL SW000-F60 SENSOR OPERATED FAUCET ELECTRICAL POWER ROUGH-IN PROVIDE 120VAC, 60Hz, 3A (MAX.) GFCI PROTECTED, ELECTRICAL RECEPTACLE (VERIFY ELECTRICAL REQUIREMENTS FOR SENSOR FAUCETS WHEN PROVIDED BY OTHERS.); 2"W x 4"H
8. (4) 3/8" DIA. MOUNTING POINTS (BACKING REQUIRED)

NOTE: Fixture profile will conform with the following Standards when mounted at recommended Rim height shown. Consult Local Codes for complete requirements.

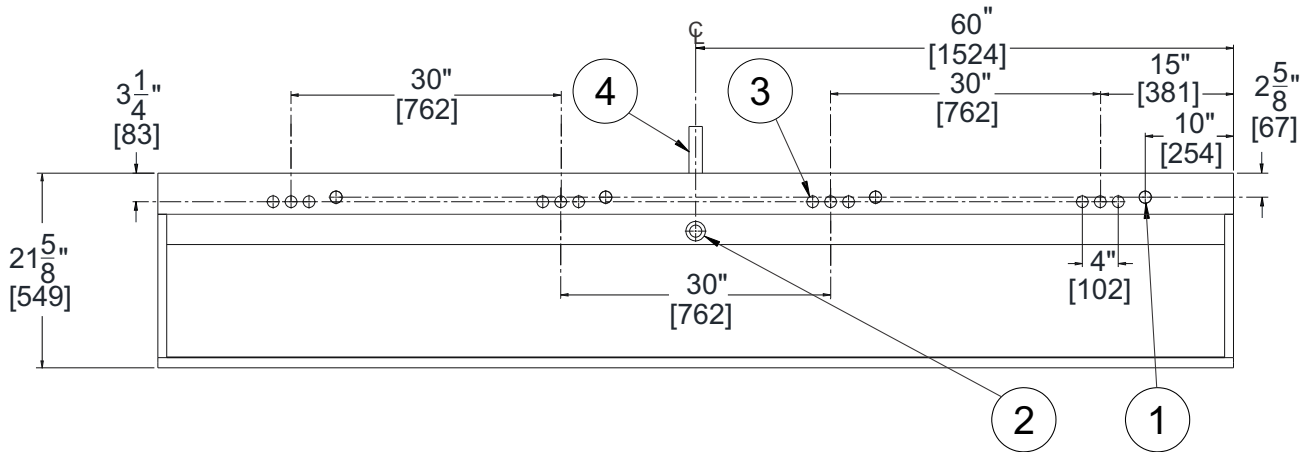
DIMENSION "A" (RIM HEIGHT)	
ADA	34"
ADA-JH	31"
BCBC	34"
OBC	34"



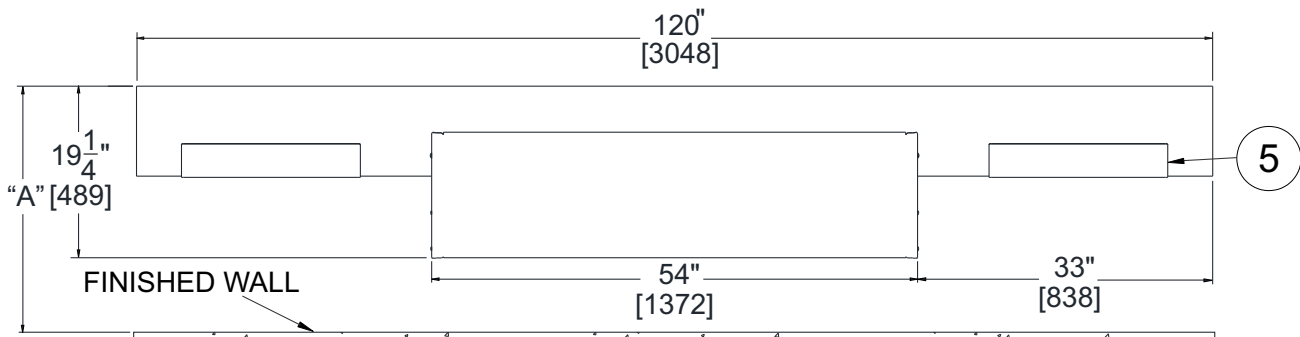
WSW4120 TECHNICAL DIMENSIONS



TOP VIEW



FRONT VIEW



GENERAL NOTES:

1. (4) Ø1-5/16" SOAP TYP DISPENSER KNOCKOUT
2. Ø1-1/4" DRAIN OPENING
3. (3) Ø1-5/16" ON 4" CENTERSET TYP
4. WASTE OUTLET FOR OPTIONAL 1-1/2" OD P-TRAP
5. (2) ACCESS PANEL

NOTE: Fixture weight is 150lbs [68kg] approx.

NOTE: Fixture profile will conform with the following Standards when mounted at recommended Rim height shown. Consult Local Codes for complete requirements.

DIMENSION "A" (RIM HEIGHT)	
ADA	34"
ADA-JH	31"
BCBC	34"
OBC	34"

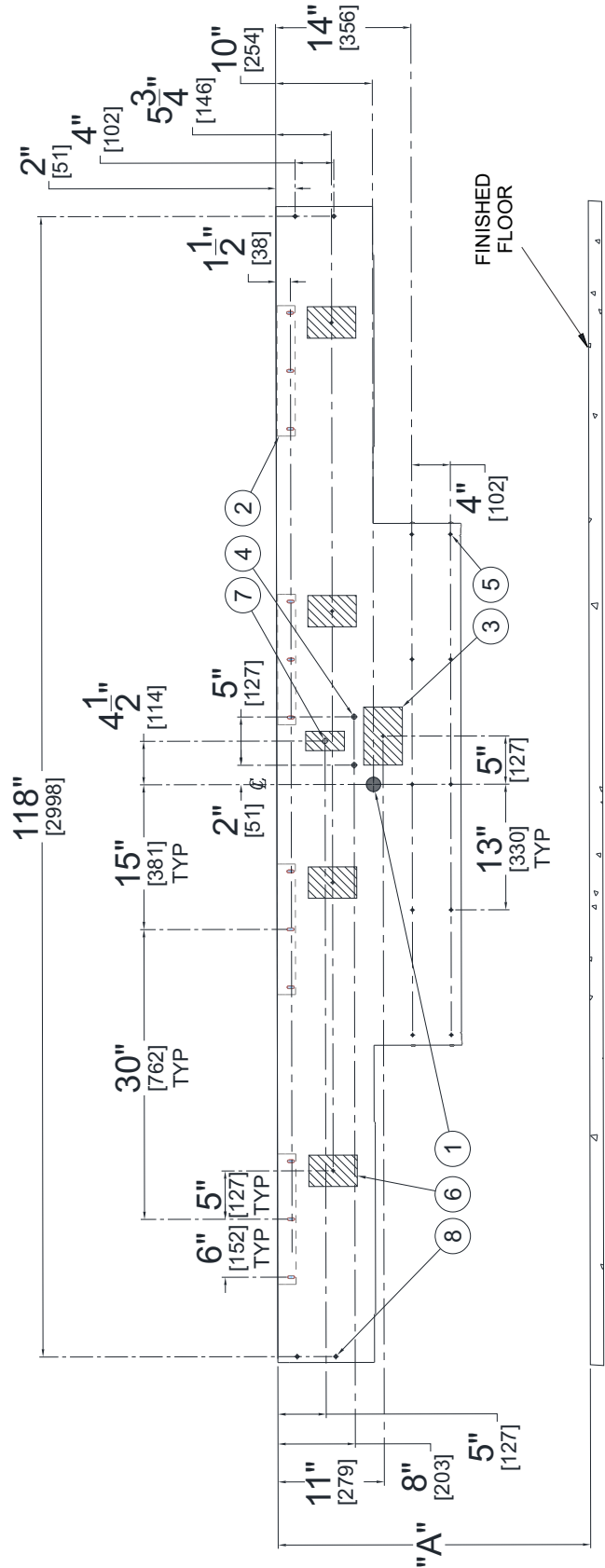
WSW4120 ROUGH-IN

ROUGH-IN PLUMBING AND MOUNTING NOTES

1. WASTE OUTLET FOR OPTIONAL 1-1/2" OD P-TRAP
2. (4) MOUNTING BRACKET PLATE
3. IF REQUIRED FOR VALVE MOUNTING AREA: 6"W x 4"H x MAX 8.25" DEPTH
4. 1/2" NPT HOT AND COLD SUPPLY INLETS (AS REQUIRED)
5. (10) WALL ANCHORING MOUNTING POINTS (WALL BACKING REQUIRED)
6. IF REQUIRED FOR SOAP DISPENSER COMPONENTS PLACEMENT OTHERS): 3.5"W x 5"H x MAX 4.5" DEPTH
7. FOR OPTIONAL SW000-F60 SENSOR OPERATED FAUCET ELECTRICAL POWER ROUGH-IN PROVIDE 120VAC, 60Hz, 3A (MAX.) GFCI PROTECTED, ELECTRICAL RECEPTACLE (VERIFY ELECTRICAL REQUIREMENTS FOR SENSOR FAUCETS WHEN PROVIDED BY OTHERS.); 2"W x 4"H
8. (4) 3/8" DIA. MOUNTING POINTS (BACKING REQUIRED)

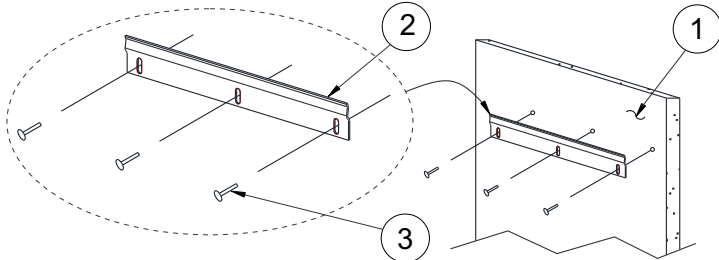
NOTE: Fixture profile will conform with the following Standards when mounted at recommended Rim height shown. Consult Local Codes for complete requirements.

DIMENSION "A" (RIM HEIGHT)	
ADA	34"
ADA-JH	31"
BCBC	34"
OBC	34"



FIXTURE ANCHORING

- 1** Locate and mount the Mounting Bracket to a finished wall. Anchoring Hardware is provided by installer to suit wall conditions.



IMPORTANT: Industry standard wall backing for wall hung fixtures is required. Installer provided wall anchors and wall anchoring hardware must be appropriate for wall construction and have a minimum pull-out rating of 1000lbs (454kg).

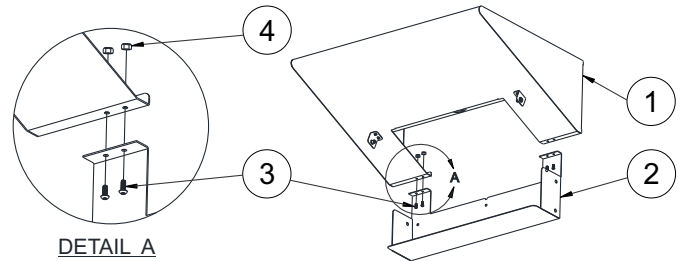
- 1 Finished Wall
- 2 "S" Clip Mounting Bracket
- 3 Installer Provided 1/4" Anchoring Hardware



NOTE: It may be helpful to install to the deck, faucets, soap dispensers or other accessories prior to wall mounting. Refer to installation details provided with accessories.

- 1 Basin
- 2 P-Trap Enclosure's Mounting Frame
- 3 #10-32 x 1/2" Screws (Provided)
- 4 Stainless Steel Locknuts (Provided)

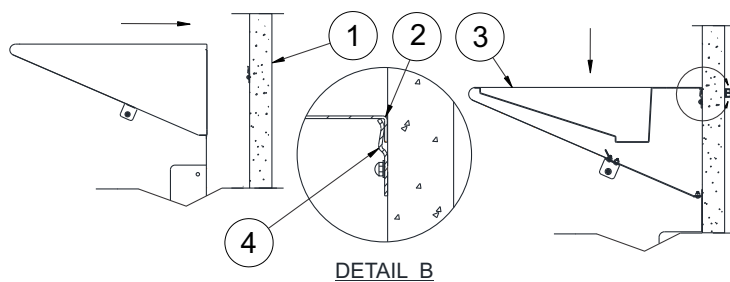
- 2** Attach P-Trap Enclosure's Mounting Frame to Basin using #10-32 x 1/2" Screws.



NOTE: Single station unit shown; the two, three and four station units will differ. Refer to rough-in sheets for additional information.

- 1 Finished Wall
- 2 Deck Mounting Channel
- 3 Basin Assembly
- 4 "S" Clip Mounting Bracket

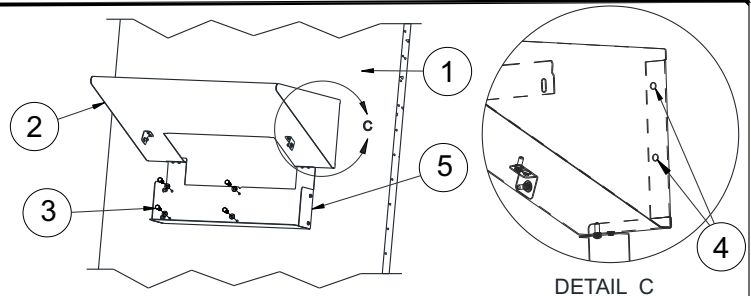
- 3** Hang Basin Assembly against finished wall, and slide down wall until the Deck Mounting Channel Rests on Mounting Bracket.



NOTE: It is recommended to confirm the level of the hanging Basin Assembly before marking and pre-drilling the mounting holes.

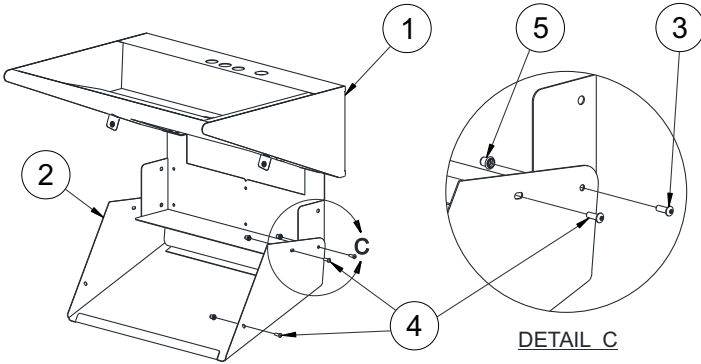
- 1 Finished Wall
- 2 Basin Assembly
- 3 Installer Provided 1/4" Anchoring Hardware
- 4 3/8" Anchoring Hardware (By Others)
- 5 P-Trap Enclosure Mounting Frame

- 4** Secure Basin Assembly to finished wall using installer provided Wall Anchors and Anchoring Hardware.



WASTE PLUMBING

5 Attach P-Trap Enclosure Cover to Basin Assembly using 1/4 - 20 UNC x 3/4" Screws (Provided).

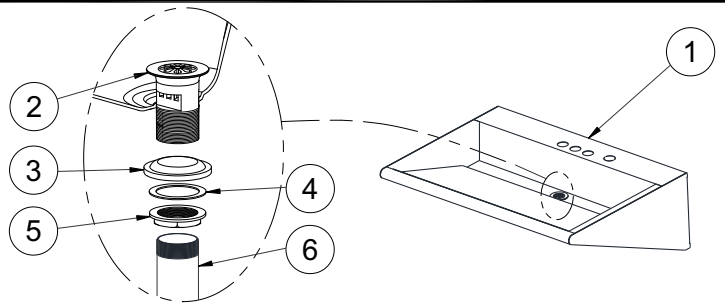


IMPORTANT: To open P-Trap Enclosure and access components located within, remove upper and front screws (4) while supporting the front of the cover. Cover is hinged and will swing down when supported with the lower mounting screw (3) only.

- 1 Basin Assembly
- 2 P-Trap Enclosure Cover
- 3 1/4 - 20 UNC x 3/4" Screws (Provided); Hinge Point
- 4 1/4 - 20 UNC x 3/4" Screws (Provided)
- 5 #10-32 Captive Nuts (Provided)

- 1 Basin
- 2 Grid Strainer w/ 1-1/2"-16 UNE Threads
- 3 Rubber Gasket
- 4 Flat Fiber Washer
- 5 1-1/2"-16 UNI Rough Chrome Brass Jam Nut
- 6 1-1/2" Tailpiece

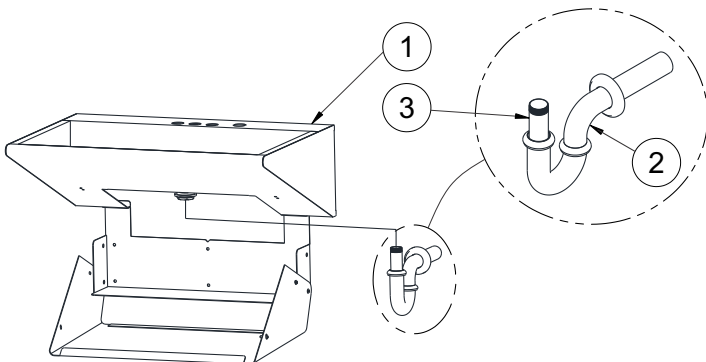
6 Install Grid Strainer and 1-1/2" Tailpiece to Deck using Plumber's Putty.



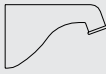
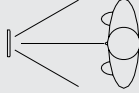



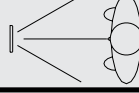
HINT: Teflon tape is recommended on all threaded waste and supply connections.

- 1 Basin Assembly
- 2 1-1/2" P-Trap
- 3 1-1/2" Tailpiece

7 Assemble Waste Piping connections and attach 1-1/2" P-Trap to Waste Piping.



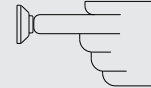
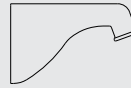
TROUBLE SHOOTING FOR 9 VOLT DC SENSOR OPERATED VALVES

Normal Valve Function: 9 Volt DC sensor operated valve has flow time of 90 seconds maximum. To reactivate, the user must move out of and return to the sensing area.		
CONDITION: WATER DOES NOT FLOW  		
<i>Indicators</i>	<i>Probable Cause</i>	<i>Solution</i>
Sensor flashes continuously every 2 seconds when hands are within range.	Low battery warning	Replace battery
Sensor does not flash when the user's hands are within range.	Circuit breaker tripped.	Reset circuit breaker
	Battery completely used up.	Replace battery
	Defective 9V DC transformer	Replace transformer.
	Transformer polarity crossed	Replace transformer (sensor may be damaged and need replacement).
	Unit is in "Security Mode" after 90 seconds of constant detection.	Remove sources of detection and wait 30 seconds before checking.
	Range is too short.	Increase range.
	Range is too long.	Decrease range and wait 30 seconds.
	Sensor is picking up a highly reflective surface.	Eliminate cause of reflection and wait 30 seconds before checking.
Sensor flashes once when user's hands are within range.	Stops or water main closed.	Open stops or water main.
	Bad sensor to solenoid connection.	Ensure wires make proper contact.
	Debris or scale in solenoid assembly.	Remove solenoid, pull out plunger and spring, and clean with scale remover solution or pressurized air.
	Debris or scale in diaphragm.	Remove diaphragm and clean
	Debris or scale in strainer.	Remove strainer and clean.
CONDITION: FALSE TRIGGERING; WATER FLOWS CONTINUOUSLY 		
<i>Indicators</i>	<i>Probable Cause</i>	<i>Solution</i>
Sensor flashes when user's hands are within range.	Debris or scale in diaphragm	Remove diaphragm and clean.
	Diaphragm is defective or torn.	Replace diaphragm.
Sensor does not flash when users hands are within range.	Sensor is dirty or covered.	Clean or uncover sensor and wait 30 seconds.
	Range too long or highly reflective surface, sunlight, bright lights etc. are triggering sensor.	Decrease range and wait 30 seconds. Eliminate cause of reflection or correct lighting problem.
CONDITION: WATER FLOWS CONTINUOUSLY BUT STOPS WHEN HANDS ARE WITHIN RANGE   		
<i>Indicators</i>	<i>Probable Cause</i>	<i>Solution</i>
Water runs continuously when sensor not activated. Sensor flashes when hands are within range and water shuts off.	Solenoid polarity crossed.	Disconnect solenoid and reverse polarity.

TROUBLE SHOOTING FOR OPTIONAL PUSHBUTTON OPERATED VALVES

Normal Valve Function: Hand pushbutton operated valve has an adjustable flow time from 5 to 60 seconds.

CONDITION: WATER DOES NOT FLOW



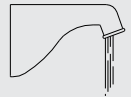
<i>Probable Cause</i>	<i>Solution</i>
Water main closed.	Open water main.
Checkstops closed.	Open checkstops.
Debris or scale in checkstop strainer	Remove checkstop strainer and clean.
Air leaks from 1/8" O.D. tubing or fittings.	Replace damaged tubing or fitting.
Pushbutton air diaphragm leaks.	Replace pushbutton air diaphragm.
Servomotor diaphragm center hole is blocked.	Remove blockage.
Servomotor upper diaphragm is damaged.	Replace servomotor upper diaphragm.
Low or no water pressure at supplies.	Increase water pressure to 30 PSI minimum.

CONDITION: WATER DRIPS, WON'T SHUT OFF



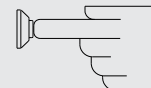
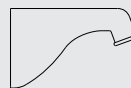
<i>Probable Cause</i>	<i>Solution</i>
Servomotor diaphragm offset hole is blocked.	Remove blockage.
Servomotor seat is damage	Replace servomotor seat.
Servomotor plate or diaphragm is obstructed.	Remove cause of obstruction.
Servomotor timer assembly is damaged.	Replace servomotor timer assembly.

CONDITION: REDUCED WATER FLOW



<i>Probable Cause</i>	<i>Solution</i>
Valve riser tubing is crimped.	Straighten valve riser tubing.
Debris or scale in checkstop strainer	Remove checkstop strainer and clean.
Blockage in valve flow control.	Remove blockage.
Low water pressure at supplies.	Increase water pressure to 30 PSI minimum.
Lime deposits in hot water pipes.	Remove lime deposits with appropriate cleaning solution.

CONDITION: PREMATURE WATER SHUT OFF



<i>Probable Cause</i>	<i>Solution</i>
Air leaks from 1/8" O.D. tubing or fittings.	Replace damaged tubing or fitting.
Pushbutton air diaphragm leaks.	Replace pushbutton air diaphragm.